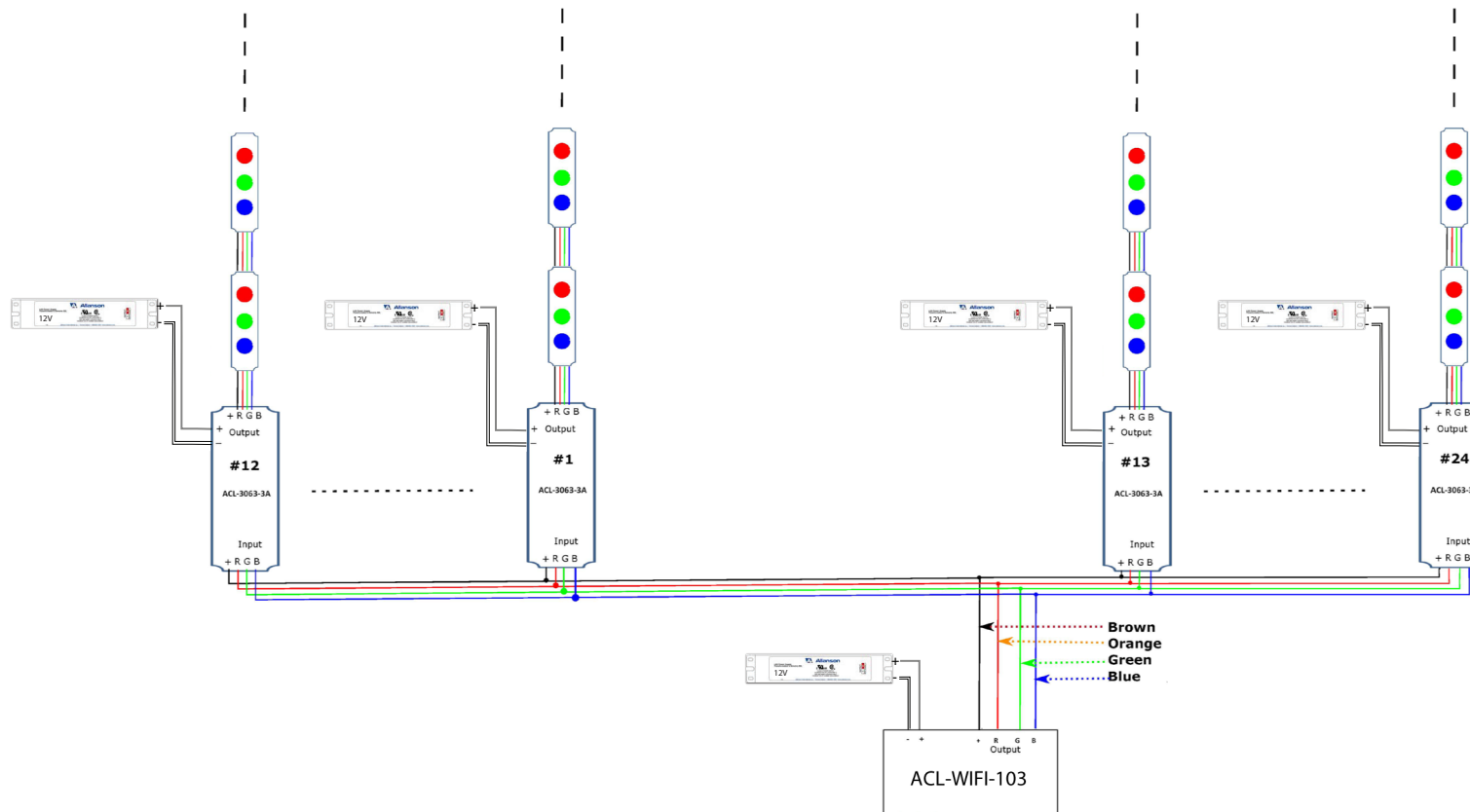




WIRING DIAGRAM

ACL-WIFI-103 with ACL-3063-3A & ACLW-RGB3



Each Allanson 60W Power Supply (CV125 series) can run maximum 80 ACLW-RGB3 modules.
Each ACL-WIFI-103 can control maximum 80 ACLW-RGB3 modules.
Each Allanson Power Amplifier (ACL-3063-3A) can control an extra 80 modules per unit.

